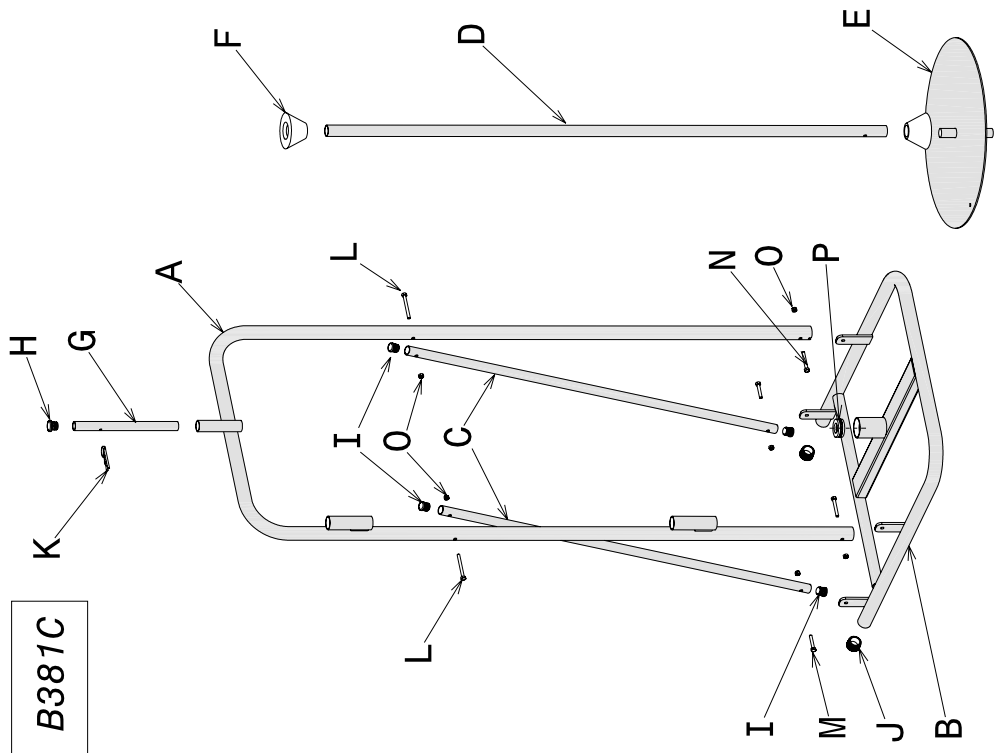
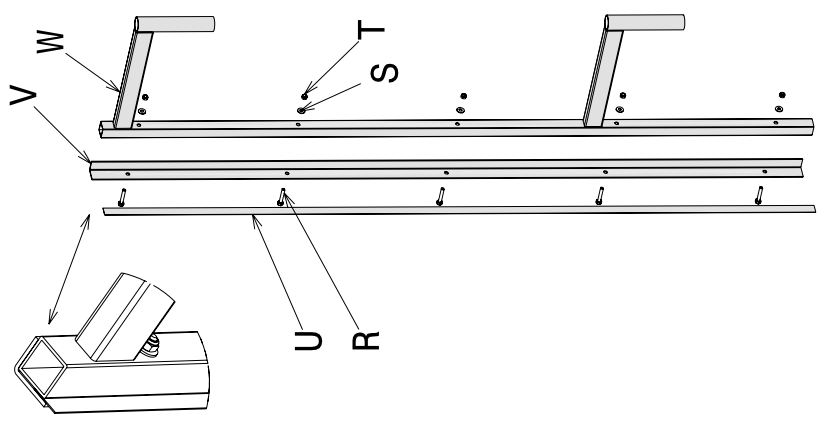
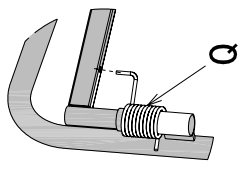
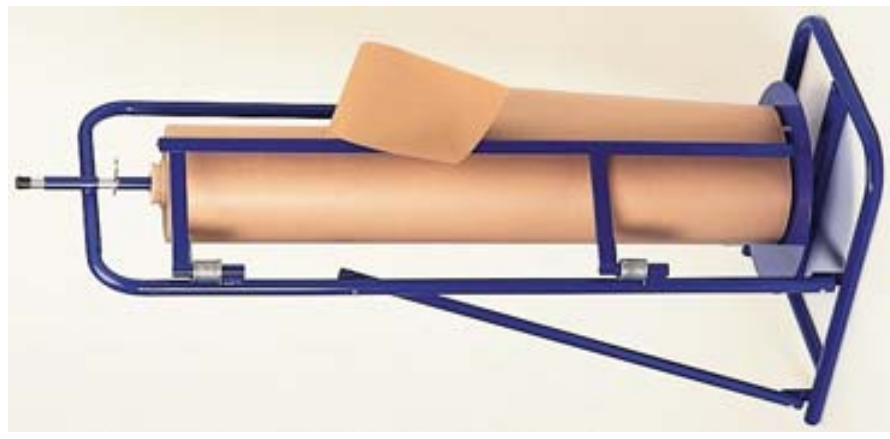


**DEROULEUR VERTICAL B380C - B381C**



A x1		B x1		E x1		H x1		K x1		N x2		Q x2		T x5		UX1		WX1	
		C x2		F x2		I x4		L x2		O x6		R x5			VX1				
				G x1		J x2		M x2		P x1		S x5							