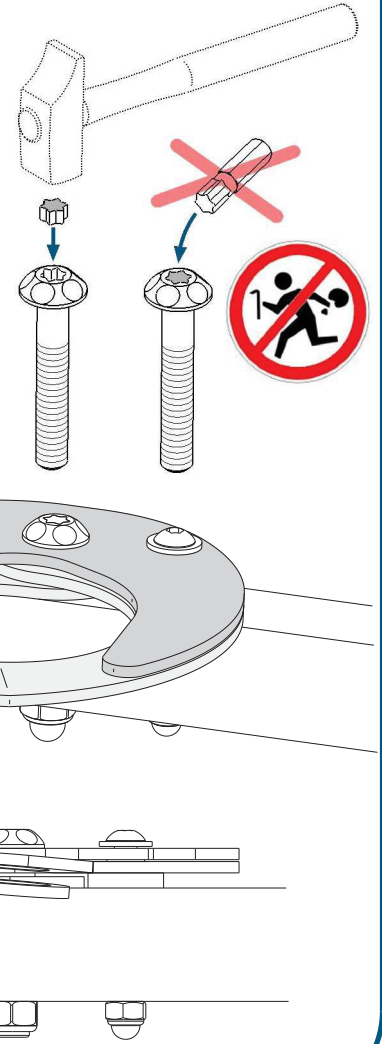
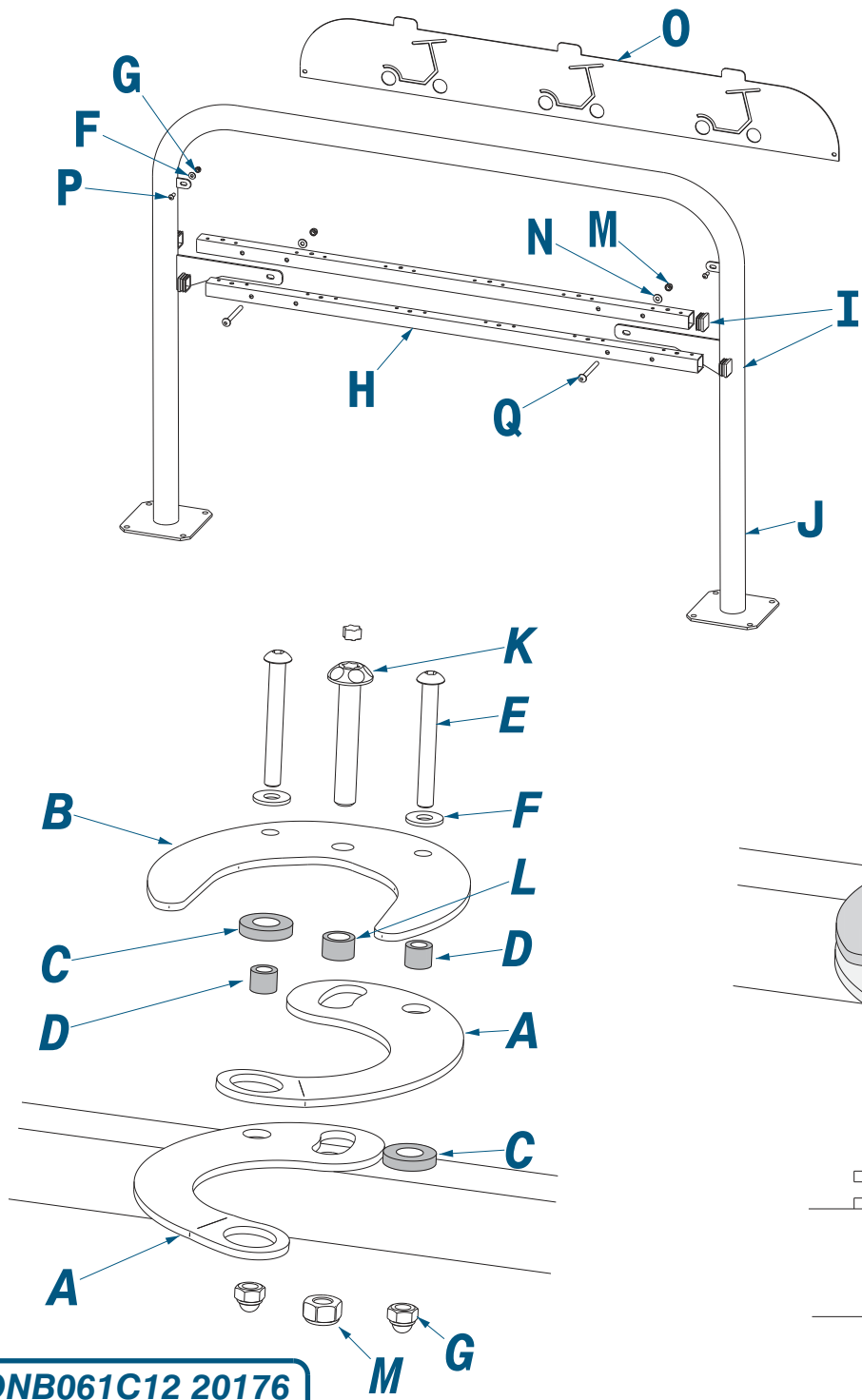
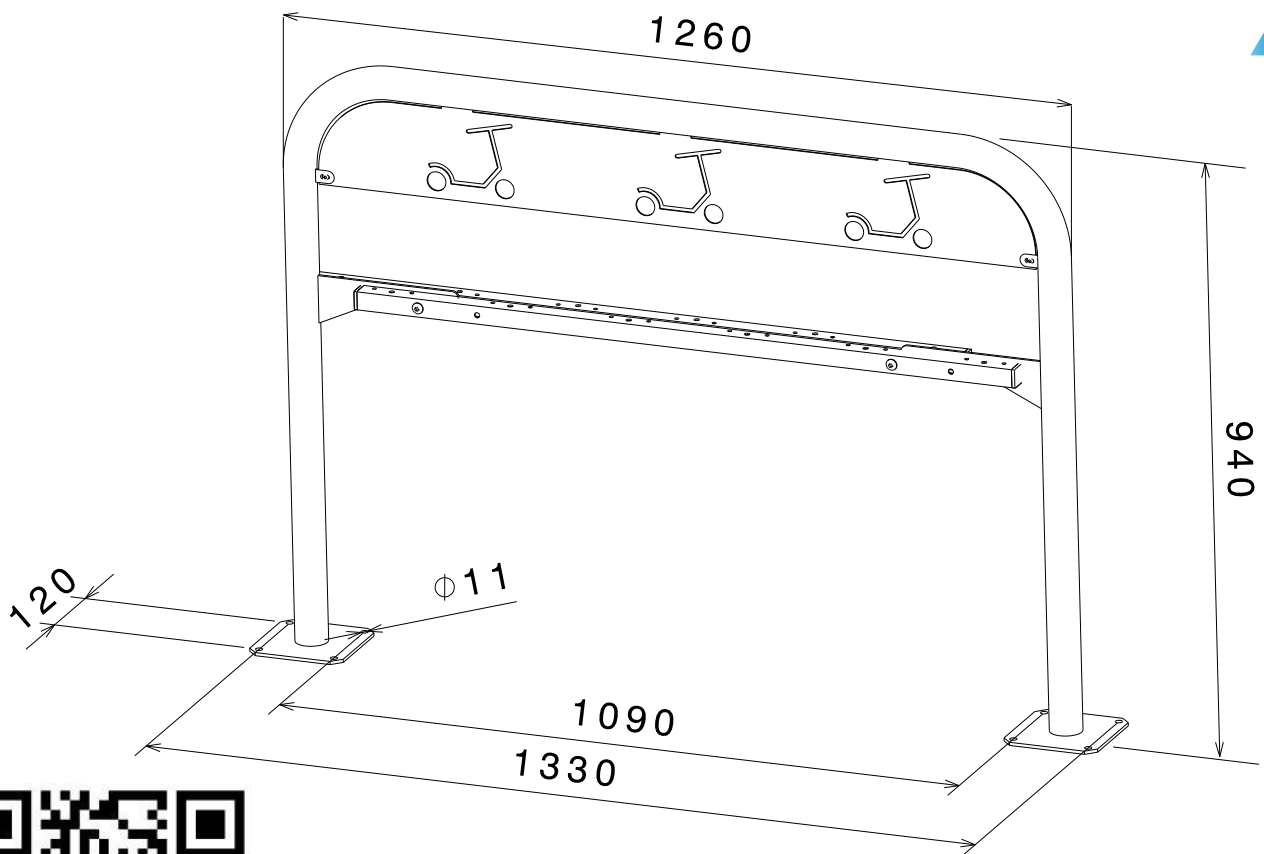


# B061C12

 <b>A x24</b> (PRB06101BZN)	 <b>B x12</b> (PRB06102BPO)	 <b>C x24</b> (EM20 10 4)	 <b>D x24</b> (EM10 6 8)	 <b>E x24</b> (VIBHC06 50)	 <b>F x26</b> (VRM06)	 <b>G x26</b> (VEH06BONY)
 <b>H x2</b> (B061SE1NO)	 <b>I x4</b> (EMC30I)	 <b>J x1</b> (B061SE4NO)	 <b>K x12</b> (VITM08 50)	 <b>L x12</b> (EM12 8 8)	 <b>M x14</b> (VEH08NY)	 <b>N x2</b> (VRM08)
 <b>O x1</b> (PRB06107PO)	 <b>P x2</b> (VIBHC06 16)	 <b>Q x2</b> (VITM08 80)		<p><b>Outils nécessaires (non fournis) (not included)</b></p> <p><b>TX40</b> (fourni - included)</p>		





VIDEO DEMONSTRATION  
B061 - M508

