

# 2-Wheel Bike Trailer for 4 Electric Bikes : **ZEUS 4**



- The trailer can carry up to 4 electric bikes.
- The trailer support arms as well as the rear of the drawbar can be folded down, which saves space and therefore allows it to be stored vertically, for example in a garage.
- Trailer has double protection against corrosion : rust preventive zinc plating + polyester powder.
- Axle = load of 200 kg, which makes it better to absorb any shocks or rebounds and therefore the load of the bicycles being transported.
- This trailer is equipped with side reflectors and security hoops for cyclists.
- Light board and number plate are protected.
- Light board socket with 7 pins
- Trailer is supplied pre- assembled.
- **Complies with community type approval (RCE): directive 2007/46 \* 0441 \* 00 category O1**



## Technical Description

Maximum weight load : 4 bikes of 20 kg = 80 kg (remove the battery first)

Accepts all types of bike wheels: from 25 mm to 70mm width wheels

Maximum wheel width: 70 mm

Maximum bike size: center distance 115 cm, wheels 29 inch

Maximum authorized speed 130 km/h

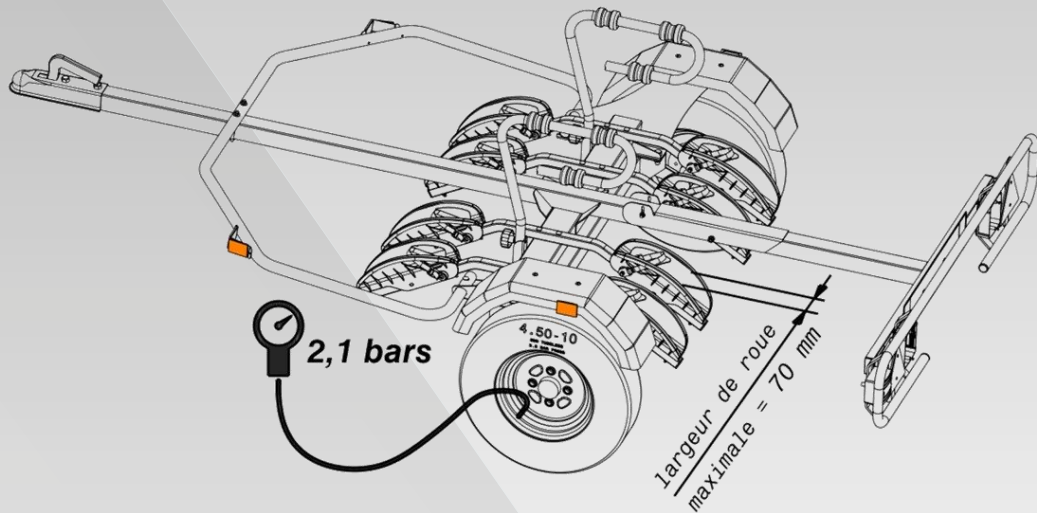
## Mottez Article code

Article code: **A144V4ELEC**

EAN code : 3234640005133



# 2-Wheel Bike Trailer for 4 Electric Bikes : **ZEUS 4**



Conception et fabrication française

