

# 4 and 5 Bike Wall Mounted Cycle Racks / 45° or 90°



- To store 4 or 5 bikes at 45° or 90° angle
- Supplied as one fixing unit, without fixings (Use 10cm screws and metal or plastic plugs depending on the type of surface)
- 45° model : possibility to turn the product the other way round (for left orientation), but less esthetic

## Technical Description

- zinc plated finish for long lasting prevention of rust
- Fixing holes Ø 8 mm (2 holes for the 4 bikes and 3 holes for the 5 bikes)
- Opening of hoops = 75mm externally and 42mm near to the wall (to hold the tyre)

**Mottez article code**


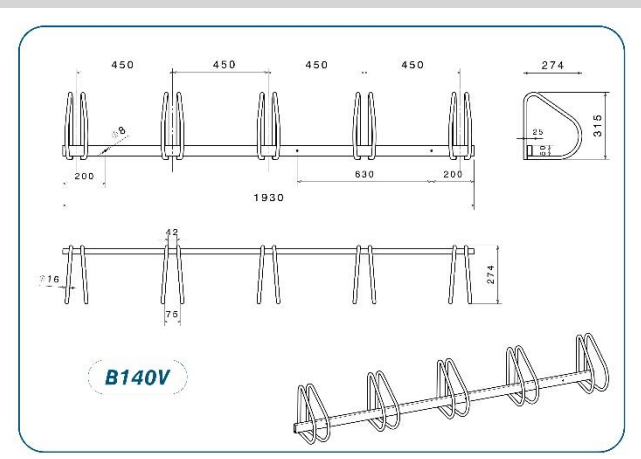
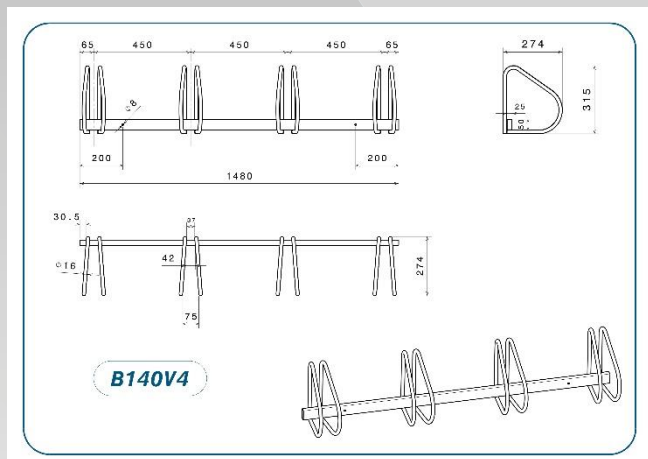
**4 bikes at 90°**  
 Length. 1400 x Width. 274 x Height 315 mm  
 Weight : 8,00 kg

**Article code : B140V4**  
**EAN code : 3234640044521**



**4 bikes at 90°**  
 Length. 1930 x Width. 274 x Height 315 mm  
 Weight : 9,80 kg

**Article code : B140V**  
**EAN code : 3234640038179**

**4 bikes at 45°**  
 Length. 1640 x Width. 212 x Height 315 mm  
 Weight : 7,13 kg

**Article code : B141V4**  
**EAN code : 3234640044538**



**5 bikes at 45°**  
 Length. 2090 x Width. 212 x Height 315 mm  
 Weight : 10,00 kg

**Article code : B141V**  
**EAN code : 3234640038186**