

B388C

∅ 25 lg 400

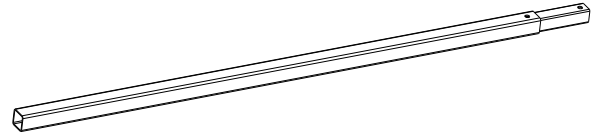


A x1

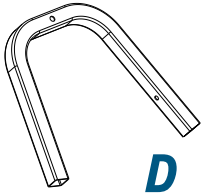
∅ 20 lg 735



B x1

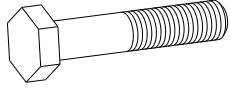


C x4



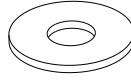
D x2

M8 x 40

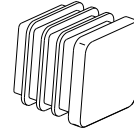


E x2

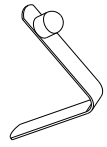
∅ 8



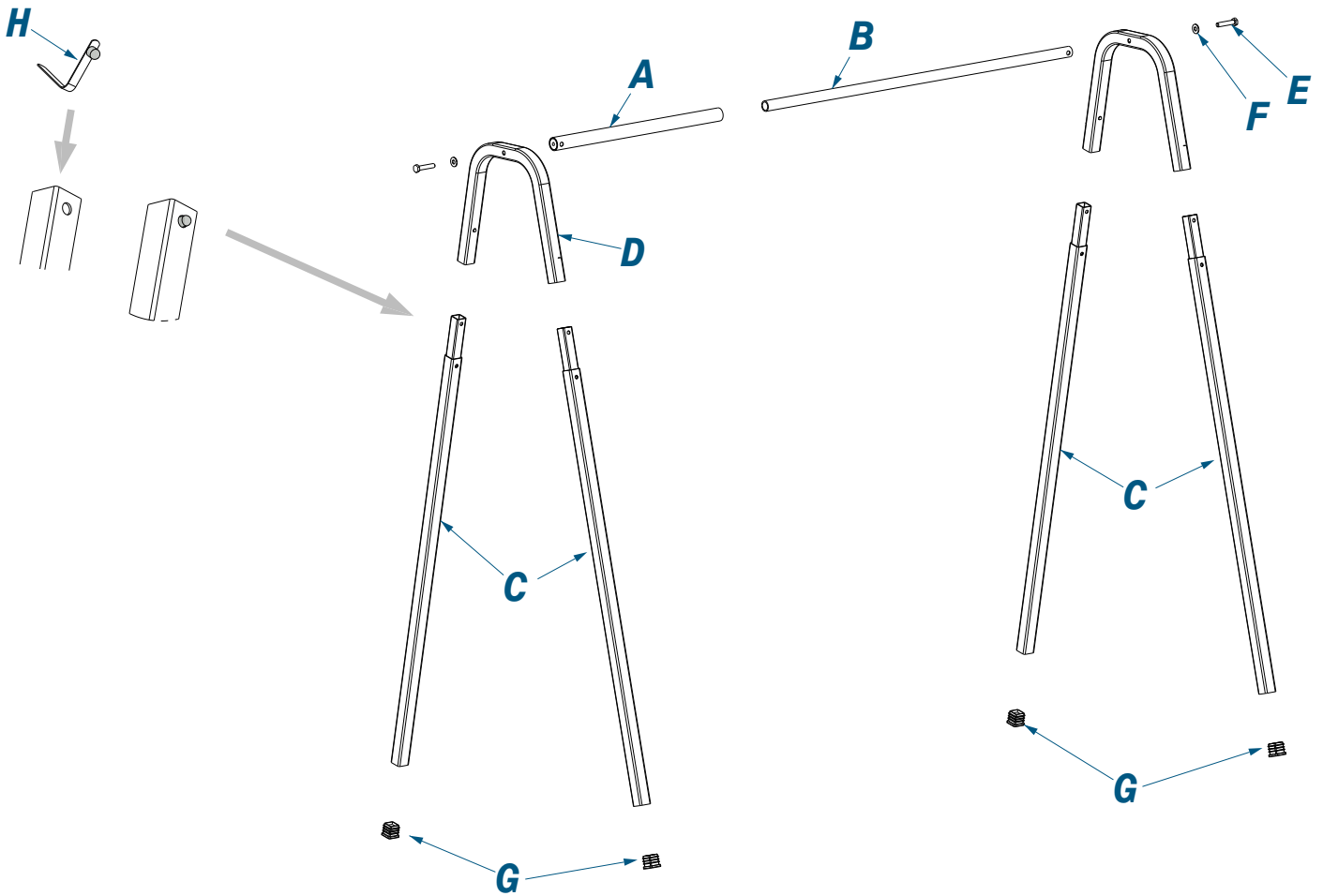
F x2



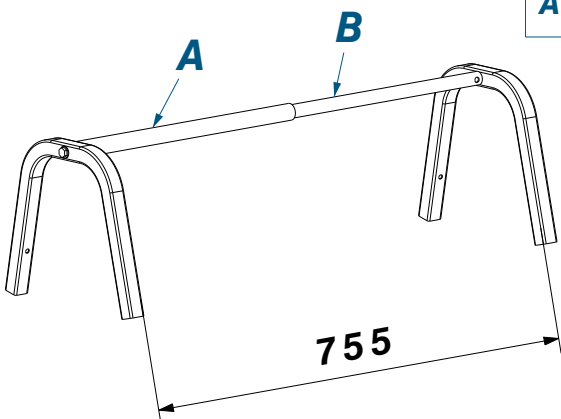
G x4



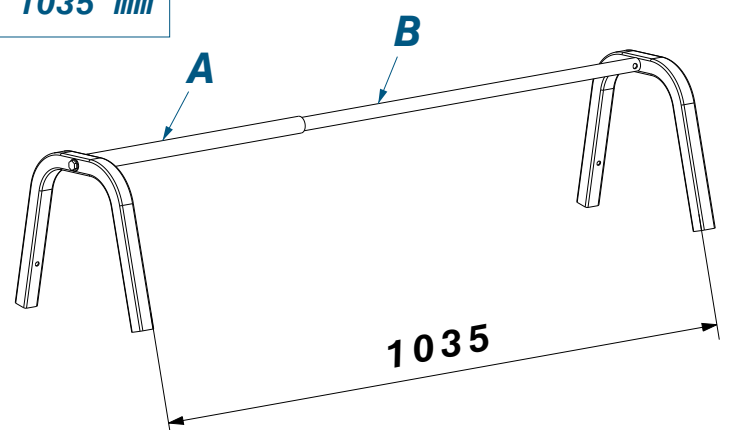
H x4



A+B = 755 à 1035 mm



755



1035