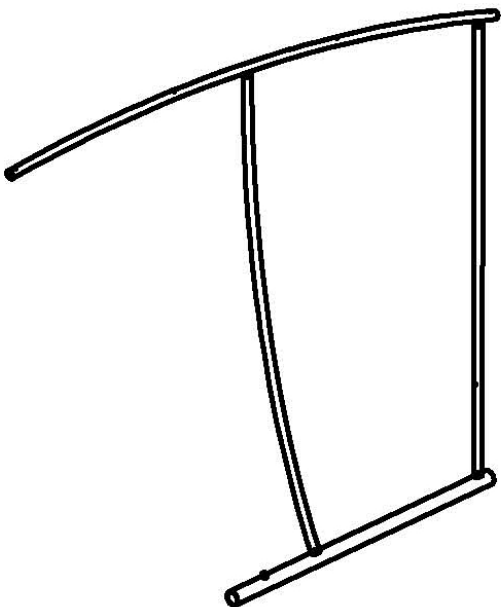
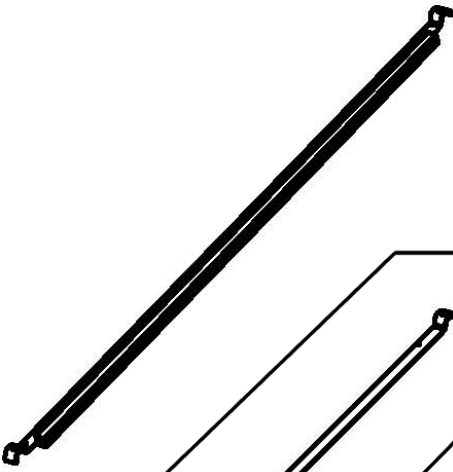
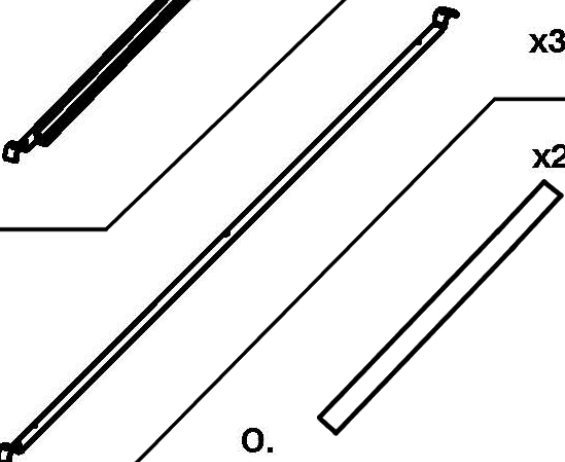
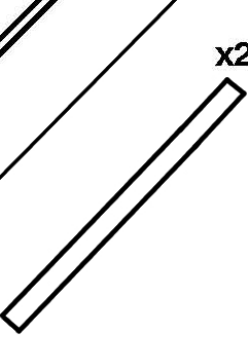

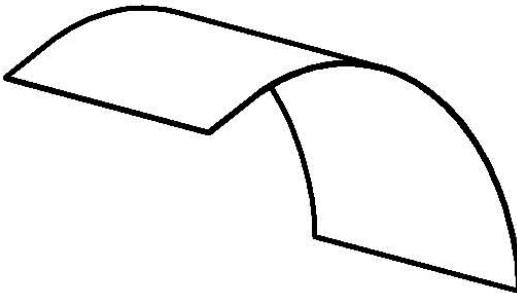

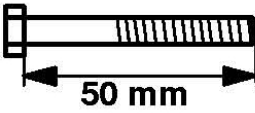
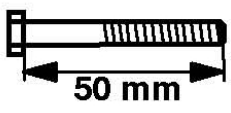




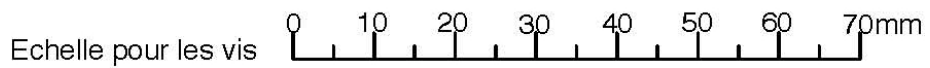
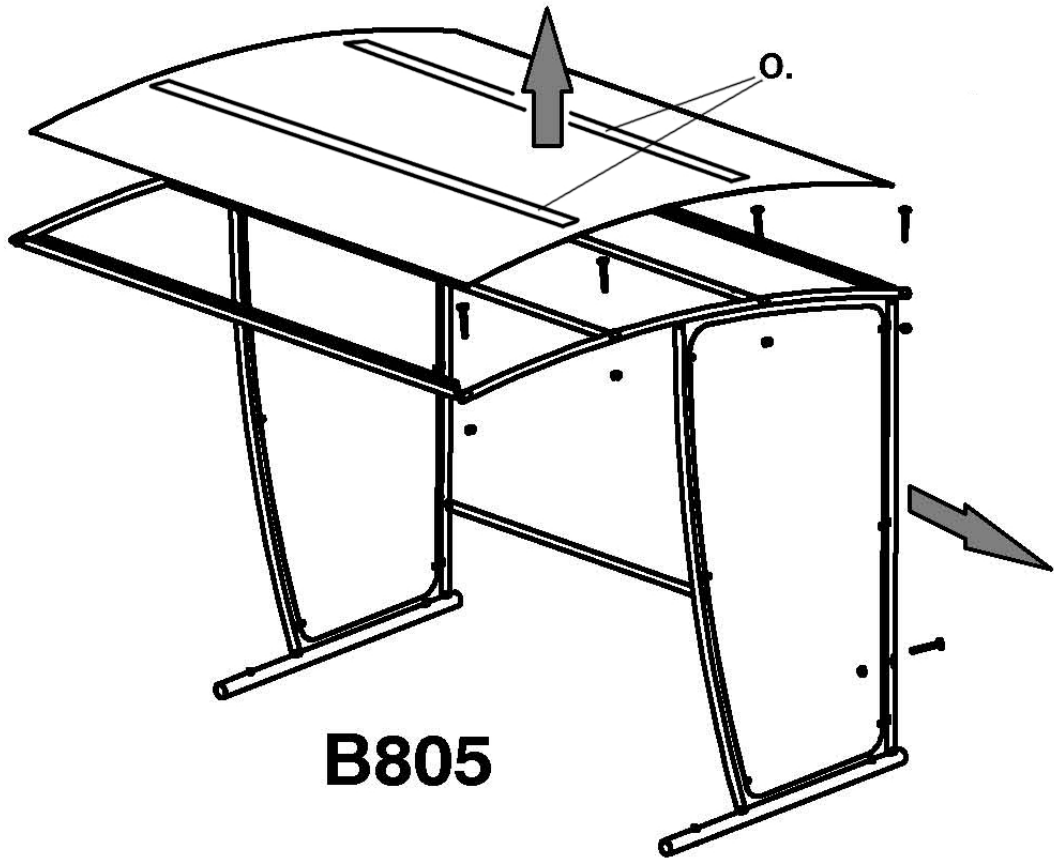


SUPPLEMENT B807 POUR ABRI B805

Notice de montage

 <p>A. x1</p>	 <p>B. x2</p>  <p>C. x3</p>  <p>O. x2</p>
<p>D.  $\varnothing 50$ x2</p>	 <p>F. x1</p>
<p>E.  $\varnothing 30$ x2</p>	<p>H.  M8x50 x5</p>
<p>G.  M6x50 x6</p>	<p>J.  M6 x6</p>
<p>I.  M8 x5</p>	<p>L.  $\varnothing 6 \times \varnothing 24$ x6</p>
<p>K.  $\varnothing 6 \times \varnothing 28$ x6</p>	





B805

