

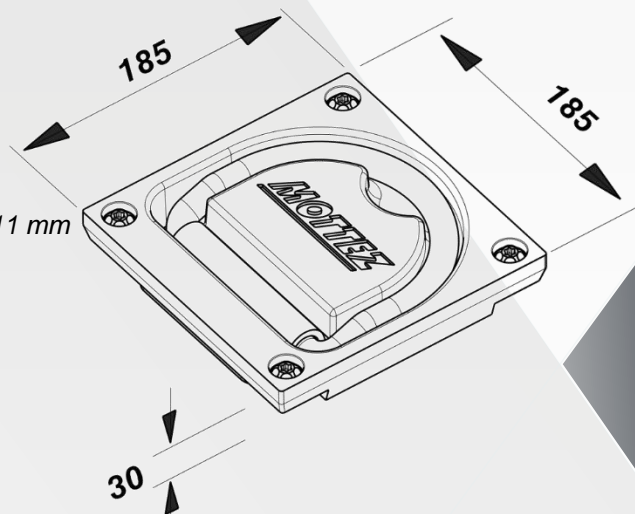
High Security Ground Anchor



Ground Anchor antitheft device to be inserted in a paving or in a concrete slab.
Equipped with an indentation making it able to rotate the hoop to insert a U-lock, chain or cable.
Supplied with unscrewable screws and plugs to fix the rubber base
Sheet metal and anchor hoop to be sealed in concrete with screws + washers + nuts

Technical Description

- Steel Sheet metal thickness 4 mm
- Ø 16 mm Anchor
- Base = recycled rubber
- Overall Dimensions: 185 x 185 x 30 mm
- Diameter of the hole on the sheet metal base : 11 mm
- Weight: 2 kg



Mottez Article Code

Article Code : A081S
EAN Code : 3234640005096