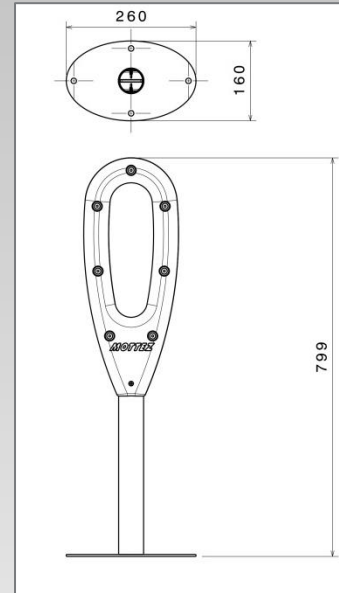
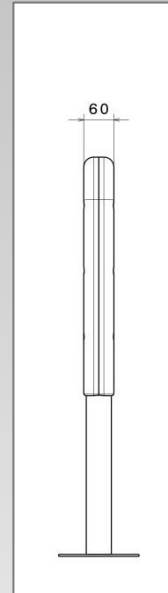


Post Bike Rack – for 2 bikes



Post bike rack - for 2 bikes with 1 rubber loop (recycled rubber) for maximum protection of bikes
The bikes are held against the rubber loop in order to avoid paint scratches
The loop allows to fix a cable lock or U-lock

Technical description

Steel tube \varnothing 50 with primer + charcoal grey paint + recycled rubber loop
1 flat iron ring 4mm thick and rubber gum loop
Overall Dimensions: Length 26cm – Width 16cm – Height 80cm
Oval attachment plate 26 x 16 cm - Thick 5 mm – 4 fixing holes \varnothing 11mm
Rubber loop dimensions: 19 x 6 x height 48 cm
Weight : 5,30 kg

Mottez Article Code

Article code : B146S

EAN code : 3234640061214

