

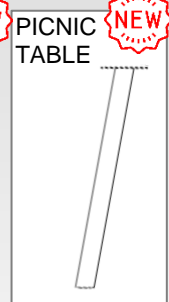
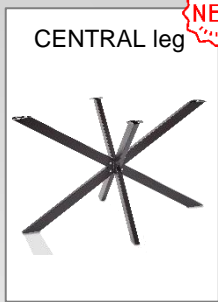
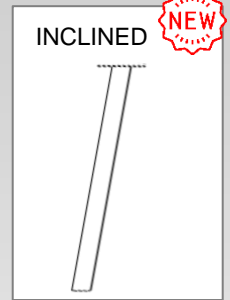
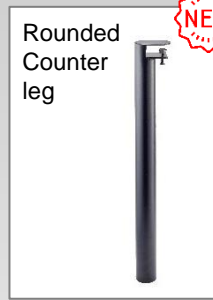
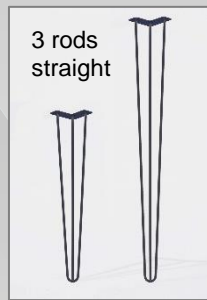
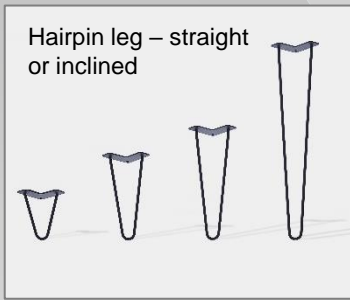


Furniture Legs

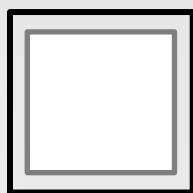
Be creative – Design your own furniture !

Design

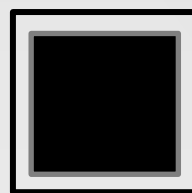
Bring a touch of style, sober elegance and harmony to any piece of furniture



Colour



White



Black



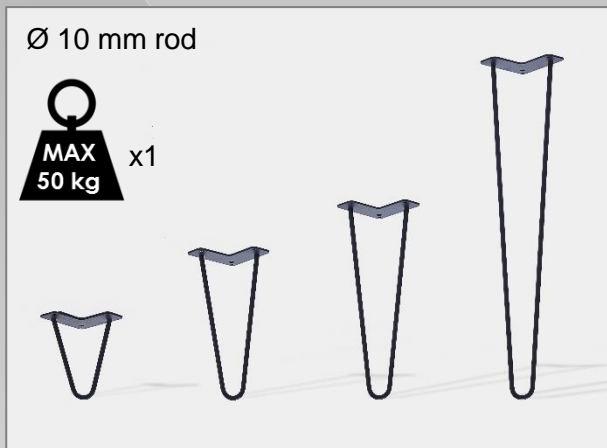
Metal

Size

Different heights and widths available to make any type of furniture !



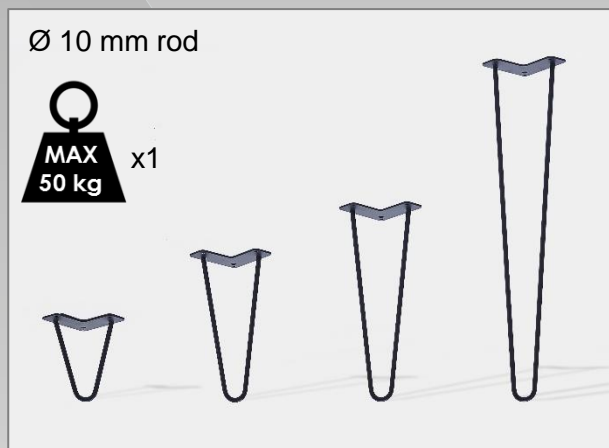
Hairpin / double rod – Straight



Our furniture legs will give a clean and elegant look to your furniture. They are practical because they are light and easy to install. They don't take up much space, making them ideal for small areas.

Choose your height	Art. Code	EAN	Choose your colour	Weight (kg)
Height 16 cm	M500VBC	3234640059327	White matt	0,45 kg
	M500VNO	3234640059334	Black matt	
	M500VTR	3234640059341	Clear lacquer metal colour	
Height 30 cm	M501VBC	3234640059358	White matt	0,63 kg
	M501VNO	3234640059365	Black matt	
	M501VTR	3234640059372	Clear lacquer metal colour	
Height 40 cm	M502VBC	3234640059389	White matt	0,75 kg
	M502VNO	3234640059396	Black matt	
	M502VTR	3234640059402	Clear lacquer metal colour	
Height 50 cm	M503VBC	3234640059419	White matt	0,87 kg
	M503VNO	3234640059426	Black matt	
	M503VTR	3234640059433	Clear lacquer metal colour	
Height 71 cm	M504VBC	3234640059440	White matt	1,15 kg
	M504VNO	3234640059457	Black matt	
	M504VTR	3234640059464	Clear lacquer metal colour	

Hairpin / double rod – Inclined



Our furniture legs will give a clean and elegant look to your furniture. They are practical because they are light and easy to install. They don't take up much space, making them ideal for small areas.

Choose your height	Art. Code	EAN	Choose your colour	Weight (kg)
Height 16 cm	M510VBC	3234640059471	White matt	0,45 kg
	M510VNO	3234640059488	Black matt	
	M510VTR	3234640059495	Clear lacquer metal colour	
Height 30 cm	M511VBC	3234640059501	White matt	0,63 kg
	M511VNO	3234640059518	Black matt	
	M511VTR	3234640059525	Clear lacquer metal colour	
Height 40 cm	M512VBC	3234640059532	White matt	0,75 kg
	M512VNO	3234640059549	Black matt	
	M512VTR	3234640059556	Clear lacquer metal colour	
Height 50 cm	M513VBC	3234640059563	White matt	0,87 kg
	M513VNO	3234640059570	Black matt	
	M513VTR	3234640059587	Clear lacquer metal colour	
Height 71 cm	M514VBC	3234640059594	White matt	1,15 kg
	M514VNO	3234640059600	Black matt	
	M514VTR	3234640059617	Clear lacquer metal colour	

Hairpin / triple rod – Straight



Our furniture legs will give a clean and elegant look to your furniture. They are practical because they are light and easy to install. They don't take up much space, making them ideal for small areas.

Choose your height	Art. Code	EAN	Choose your colour	Weight (kg)
Height 71 cm	M520VBC	3234640059624	White matt	1,58 kg
	M520VNO	3234640059631	Black matt	
	M520VTR	3234640059648	Clear lacquer metal colour	
Height 110 cm	M521VBC	3234640059655	White matt	2,33 kg
	M521VNO	3234640059662	Black matt	
	M521VTR	3234640059679	Clear lacquer metal colour	

Rounded Counter Leg



Our rounded counter legs will give a clean and elegant look to your furniture. They are practical because they are light and easy to install. They don't take up much space, making them ideal for small areas.

This leg is equipped with a floor protection cap.
Blocks any table top 13 to 45 mm
Material : black epoxy powder paint

Choose your diameter	Choose your height	Art. Code	EAN	Weight
Tube Ø 40 mm	For low table Height 42 cm	M594VNO42	3234640062204	0,75 kg
	For table Height 73 cm	M594VNO73	3234640062211	1,20 kg
Tube Ø 50 mm	For low table Height 42 cm	M595VNO42	3234640062235	0,95 kg
	For table Height 73 cm	M595VNO73	3234640062242	1,55 kg
	For snack table Height 90 cm	M595VNO90	3234640062259	1,19 kg
Tube Ø 60 mm	For low table Height 42 cm	M596VNO42	3234640062266	1,19 kg
	For table Height 73 cm	M596VNO73	3234640062273	1,94 kg

Counter Leg - for Angle

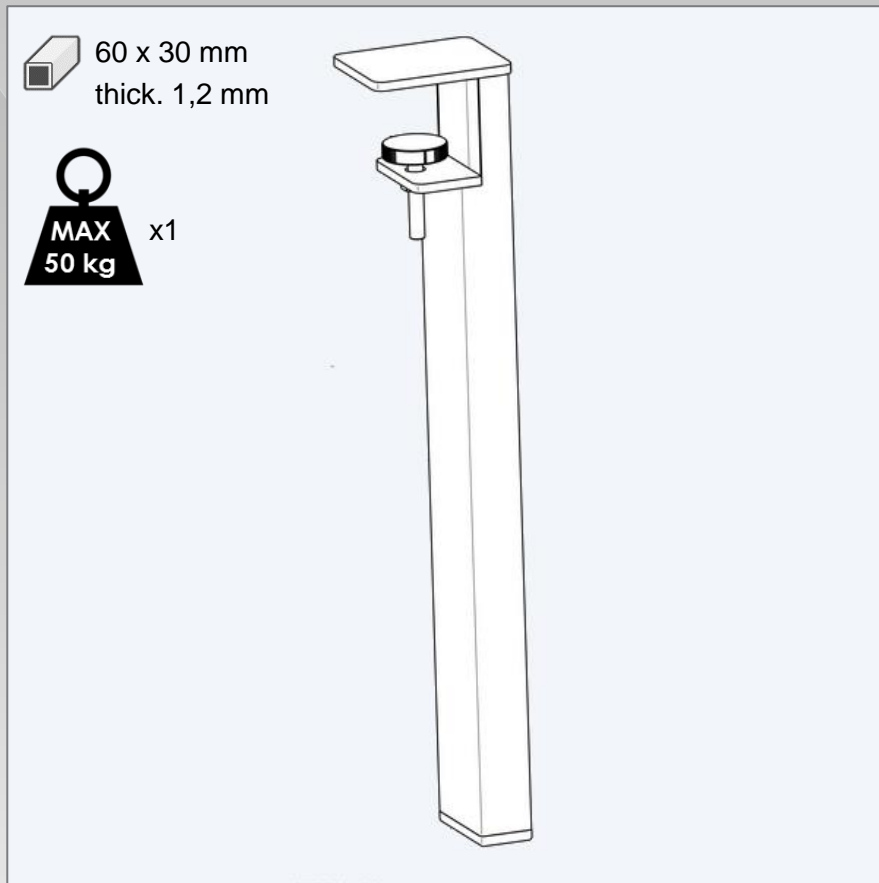


Our counter legs will give a clean and elegant look to your furniture.
They are practical because they are light and easy to install.
They don't take up much space, making them ideal for small areas.

Supplied with a floor protection foam pad.
Blocks any table top 16 to 40 mm
Can only be fixed on corners !
Material : 3 mm thick steel sheet, black epoxy paint

Choose your height	Art. Code	EAN	Weight
For low table HT 42 cm	M597VNO42	3234640062327	1,42 kg
For table HT 73 cm	M597VNO73	3234640062334	2,04 kg

Clamp system Table Leg



Our Clamp system table legs will give a clean and elegant look to your furniture. They are practical because they are light and easy to install. They don't take up much space, making them ideal for small areas.

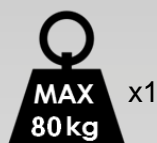
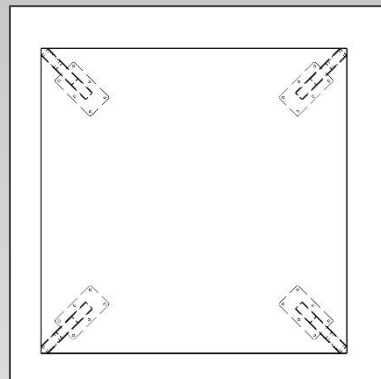
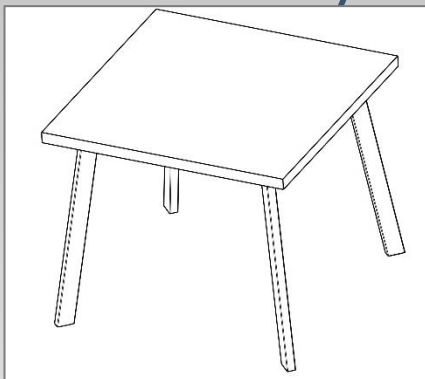
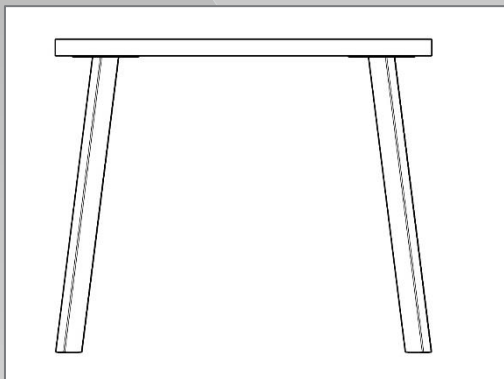
This leg is equipped with a floor protection cap.

Blocks any table top 13 to 45 mm

Material : rectangular steel tube 60 x 30 mm thick 1,2 mm, black epoxy paint

Choose your height	Art. Code	EAN	Weight
For low table Height 42 cm	M598VNO42	3234640062341	1,05 kg
For table Height 73 cm	M598VNO73	3234640062358	2,15 kg

Inclined Table Leg Industrial Style



60 x 30 mm
thick. 1,2 mm

Inclined table leg height 71 cm

Possibility of fixing 3, 4, 5, 6... legs depending on the size and shape of the top (round, square...).

With 4 legs, possibility of making a rectangular table of 90 x 200 cm

Max weight load : 80 kg / leg

Material: 60x30 rectangular steel tube, thick. 1.2 mm, white or black matt paint

Fixing plate thickness 3 mm with 6 holes for fixing on table top by screwing

Overall dimension : 23 x 8 x Height 75 cm

Weight : 1,60 kg / leg



Choose your colour	Art. Code	EAN	Weight
Blanc mat	M599VBC71	3234640063034	1,60 kg
Noir mat	M599VNO71	3234640063027	1,60 kg

Central Leg



Due to its design, our central leg allows for more legroom under the table: your guests will be able to sit more comfortably.
It gives a touch of modernity and decoration.

This leg is equipped with floor adjustment pads
2 crosses to assemble, for tray mini 80 cm, max. 120 cm (round, square, rectangular shape)
Material : rectangular steel tube 60 x 30 mm thick 2 mm, black or white epoxy paint.
Dimensions : 79 x 79 x Height 71 cm
Weight : 6,50 kg

Art. Code	EAN	Colour
M590VBC	3234640062167	White matt
M590VNO	3234640062150	Black matt

Central Leg



Photo non contractuelle



Due to its design, our central leg allows for more legroom under the table: your guests will be able to sit more comfortably.
It gives a touch of modernity and decoration.

This leg is equipped with floor adjustment pads.


2 crosses to assemble, for rectangular tray mini 80 x 120 cm, max. 100 x 180 cm

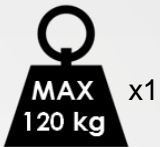
Material : rectangular steel tube 60 x 30 mm thick 2 mm, black or white epoxy paint.

Dimensions : 117 x 79 x Height 71 cm

Weight : 8,70 kg



 60 x 30 mm thick. 2 mm



Art. Code	EAN	Colour
M591VBC	3234640062181	White matt
M591VNO	3234640062174	Black matt

Rectangular Leg



Our rectangular legs combine stability, modern aesthetics, versatility and durability. They provide strong support for your table, no matter how it is used, and fit harmoniously into various interior styles.

Choos your dimensions	Art. Code	EAN	Choose your colour	Weight
For bench Height 40 cm Width 39 cm	M540VBC	3234640059716	White matt	3,80 kg
	M540VNO	3234640059723	Black matt	
	M540VTR	3234640059730	Clear lacquer metal colour	
For low table Height 40 cm Width 59 cm	M541VBC	3234640059747	White matt	4,80 kg
	M541VNO	3234640059754	Black matt	
	M541VTR	3234640059761	Clear lacquer metal colour	
For table Height 71 cm Width 59 cm	M542VBC	3234640059778	White matt	6,60 kg
	M542VNO	3234640059785	Black matt	
	M542VTR	3234640059792	Clear lacquer metal colour	
For dining table Height 71 cm Width 99 cm	M543VBC	3234640059808	White matt	8,80 kg
	M543VNO	3234640059815	Black matt	
	M543VTR	3234640059822	Clear lacquer metal colour	
For work table and snack table Height 88 cm Width 59 cm	M544VBC	3234640059839	White matt	8,60 kg
	M544VNO	3234640059846	Black matt	
	M544VTR	3234640059853	Clear lacquer metal colour	
For bar / high-bar Height 110 cm Width 59 cm	M545VBC	3234640059860	White matt	10,70 kg
	M545VNO	3234640059877	Black matt	
	M545VTR	3234640059884	Clear lacquer metal colour	

Cross Leg



Our cross-shaped legs provide stability, modern aesthetics, space for your legs, versatility and sturdiness.

They are a functional and attractive choice for your table or bench, bringing both comfort and style to your space.

Whether for residential or professional use, our cross-shaped leg can be a stylish and practical option!

Choose your dimensions	Art. Code	EAN	Choose your colour	Weight
For bench Height 40 cm Width 39 cm	M531VBC	3234640060880	White matt	3,20 kg
	M531VNO	3234640060897	Black matt	
	M531VTR	3234640060903	Clear lacquer metal colour	
For table Height 71 cm Width 77,50 cm	M530VBC	3234640059686	White matt	5,20 kg
	M530VNO	3234640059693	Black matt	
	M530VTR	3234640059709	Clear lacquer metal colour	

Trapezoide Leg



Our trapeze-shaped legs offer a unique design, optimal stability, versatility in style, as well as remarkable sturdiness and durability.

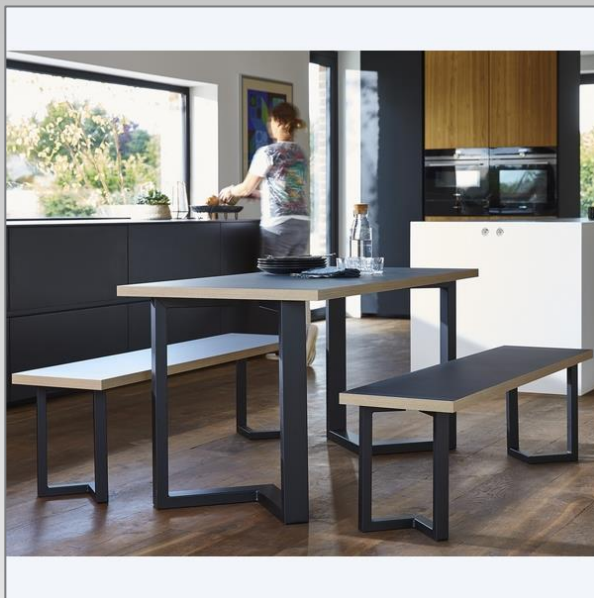
They are an aesthetic and functional choice for your table, adding a touch of sophistication to your room.

Whether it's for your dining room, kitchen, or workspace, our trapeze-shaped leg is an attractive and practical option.

Choose your dimensions	Art. Code	EAN	Choose your colour	Weight
For bench Height 40 cm Upper width 20 cm Lower width 50 cm	M580VBC	3234640059891	White matt	3,80 kg
	M580VNO	3234640059907	Black matt	
	M580VTR	3234640059914	Clear lacquer metal colour	
For table Height 71 cm Upper width 40 cm Lower width 70 cm	M581VBC	3234640059921	White matt	6,60 kg
	M581VNO	3234640059938	Black matt	
	M581VTR	3234640059945	Clear lacquer metal colour	



Triangular Leg



Our triangle-shaped legs combine stability, aesthetics, modernity, flexibility and durability

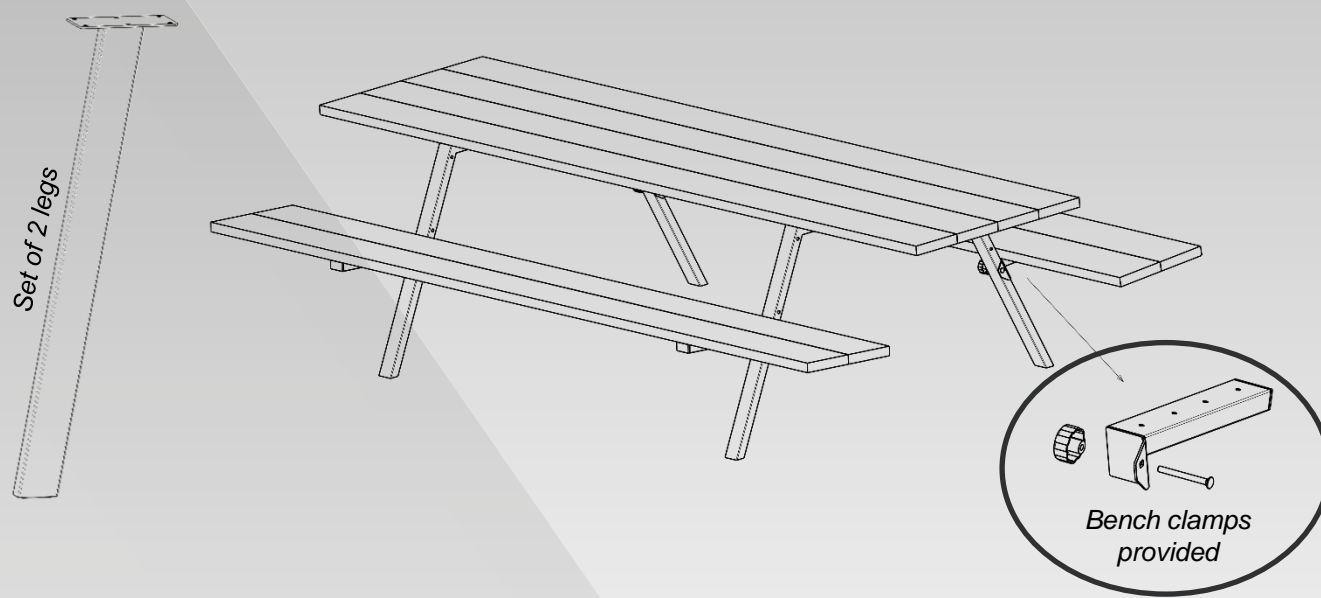
Whether you want to outfit your dining room, office or any other space, they are an excellent choice for creating a functional and attractive environment.

Equipped with anti-scratch foam pads.

Choose your dimensions	Art. Code	EAN	Choose your colour	Weight
For bench Length. 30 cm Width. 18 cm Height : 40 cm	M515VBC	3234640062280	White matt	2,10 kg
	M515VNO	3234640062297	Black matt	
For table Length. 60 cm Width. 36 cm Height : 71 cm	M516VBC	3234640062303	White matt	4,27 kg
	M516VNO	3234640062310	Black matt	



Set of 2 Legs for Picnic Table with Bench



Legs to create a picnic table with height-adjustable benches or an extension of your table to accommodate more guests

Table top and bench NOT INCLUDED

Designed to be assembled with boards 17.5 cm wide, 32 mm thick (joist type) or 70 cm wide table top and 35 cm bench top

Max weight load (on table top) = 100 kg

Bench adjustable to 3 positions :

Low position 44 cm from the ground (for adults)

Middle position 52 cm from the ground (for children)

High position to widen the table or for PRM access (person with reduced mobility)

Maximum table length 3 m with spacing

Max. table length = 3 m with leg spacing of 1.8 m

Possibility of adding legs to extend the length of the table

Material : Rectangular steel tube 60 x 30 mm, thickness 1.2 mm, primary painted + sandblasted black for exterior corrosion resistance.

Packed batch size : 136,5 x Height 79 x thick. 6,5 cm

Weight : 10,50 kg

Article Code : M517S

EAN Code : 3234640063010