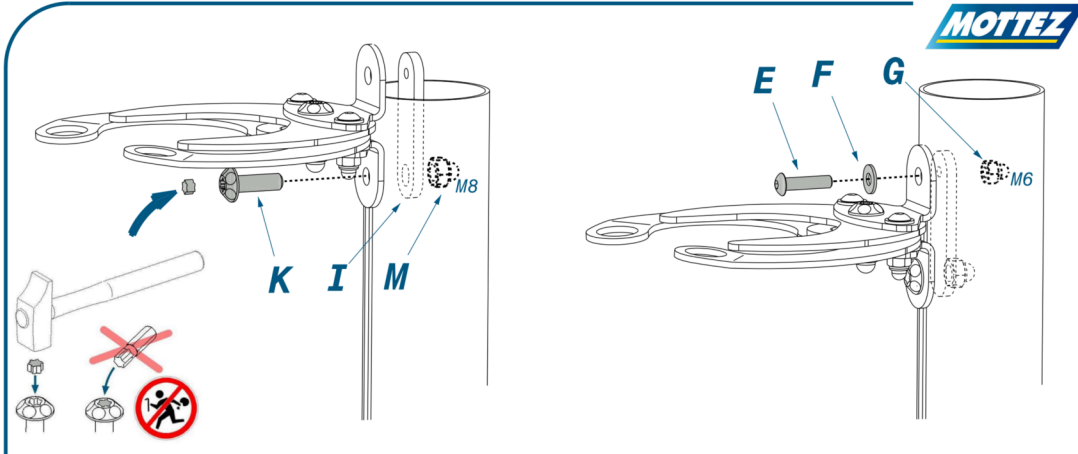
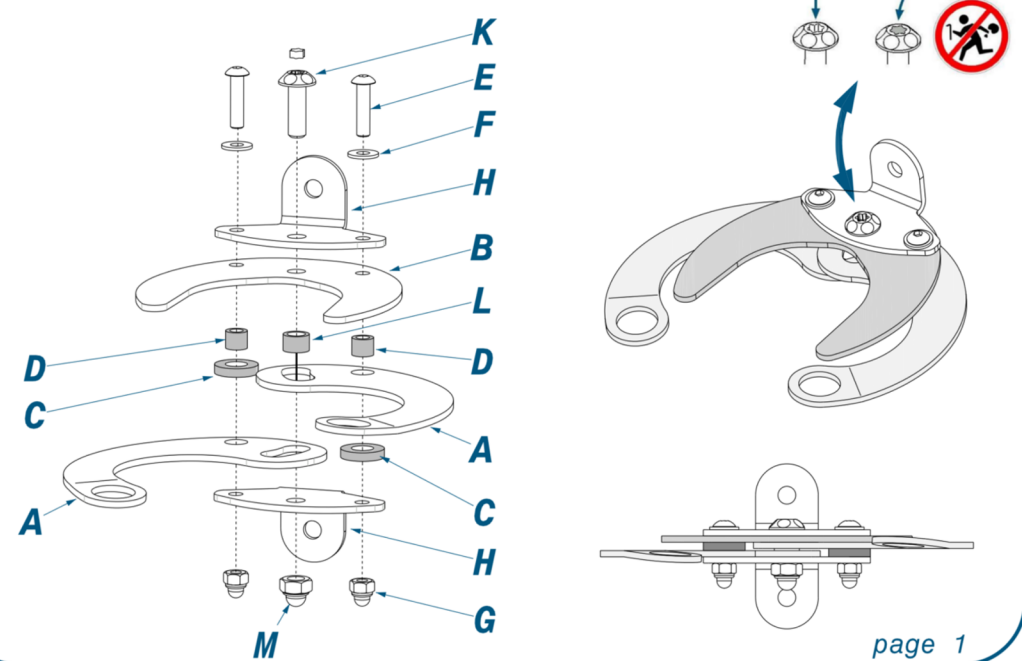
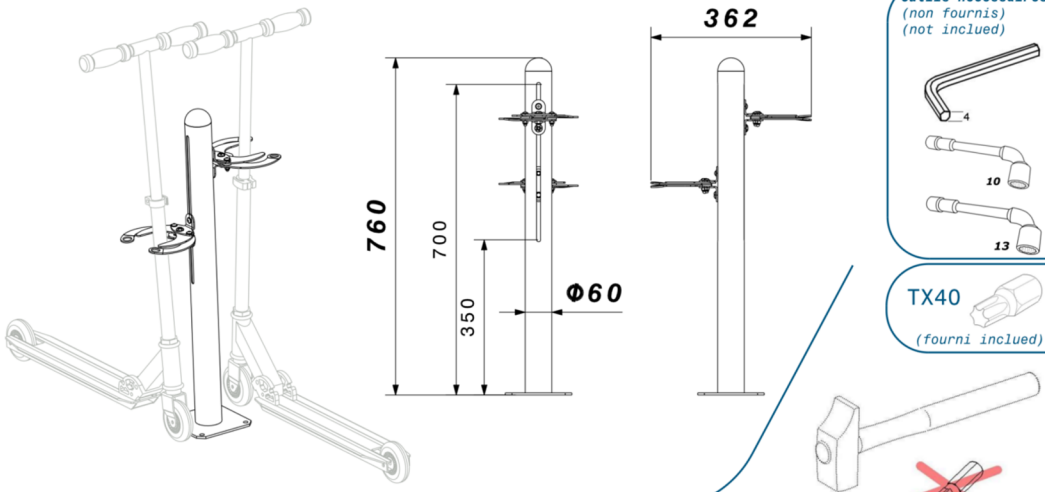


# M508C

## POTEAU RANGE 2 TROTTINETTES



(PRB06101BZN)  <b>A</b> x4	(PRB06102BPO)  <b>B</b> x2	(EM20 10 4)  <b>C</b> x4	(EM10 6 8)  <b>D</b> x4	(VIBHC06 25)  <b>E</b> x6	(VRM06)  <b>F</b> x6	(M508SE1)  <b>N</b> x1
(VEH06BONY)  <b>G</b> x6	(PRM5081ZN)  <b>H</b> x4	(PRM5082ZN)  <b>I</b> x2	(EM60IH)  <b>J</b> x1	(VITM08 25)  <b>K</b> x4	(EM12 8 8)  <b>L</b> x2	(VEH08BONY)  <b>M</b> x4



VIDEO DEMONSTRATION  
B061 - M508

Fixer au sol uniquement après avoir tout assemblé

