

Bike Rack with Sleeved Hoop for 2 bikes – **First element**



Photo : 1 x M050S + 1 x M050SSUI

- Storage Rack for 2 bikes with sleeved hoop in order to protect the paint on the bike frame.
- The front wheel of the bike is placed on the hoop to immobilize the bike without damaging the bike spokes.
- This bike rack has a low position and a high position to store 2 bikes side by side without the bike handlebars getting in the way.
- The geometry of the bike rack allows - with a padlock or U lock – to simultaneously take : the structure of the bike rack + the front wheel of the bike + the frame of the bike

Technical Description

- Material : galvanized steel Ø 25 and 20 mm, and square tube 30 mm
- Overall Dimension : 57,5 x 60,2 x Height 74 cm
- Hoop height 74 cm, 4 ground fixing points are provided
- Space between bikes : 40 cm
- 5 year guarantee (excluding corrosion)
- Weight : 4,20 kg



| | |
|---------------------------------------|-------|
| % of recycled material in the product | 70 % |
| % recycled product in packaging | 70 % |
| Hazardous substance > 0.1% | No |
| Repairability Index | 10/10 |
| Recyclable product | Yes |

Mottez Article Code

Article Code : **M050S**
EAN Code : 3234640062464

Bike Rack with Sleeved Hoop for 2 bikes – Add-on unit



Photo : 1 x M050S + 2 x M050SSUI

- Add-on unit to fix on M050S
- Add as many add-on units as desired in order to create an infinite bike rack !
- The geometry of the bike rack allows - with a padlock or U lock – to simultaneously take : the structure of the bike rack + the front wheel of the bike + the frame of the bike

Technical Description

- Material : galvanized steel Ø 25 and 16 mm, and square tube 30 mm
- Overall Dimension : 80 x 60,2 x Height 74 cm
- Hoop height 74 cm, 4 ground fixing points are provided
- Space between bikes : 40 cm
- 5 year guarantee (excluding corrosion)
- Weight : 5,00 kg

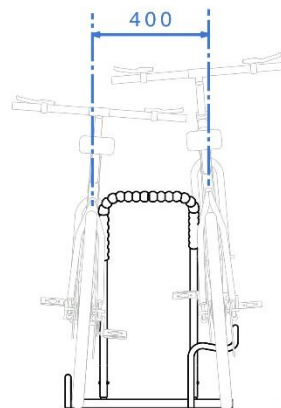
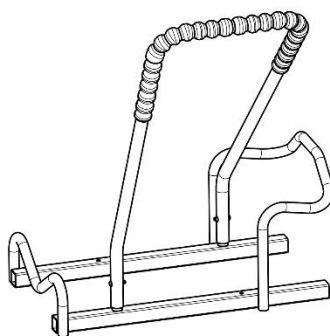
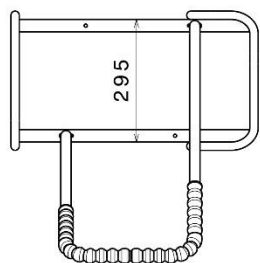
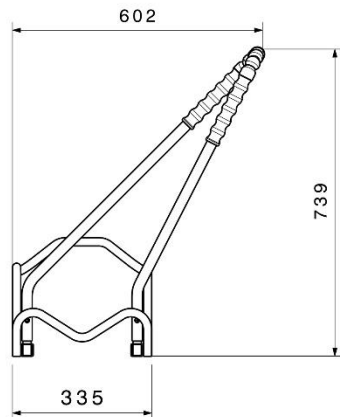
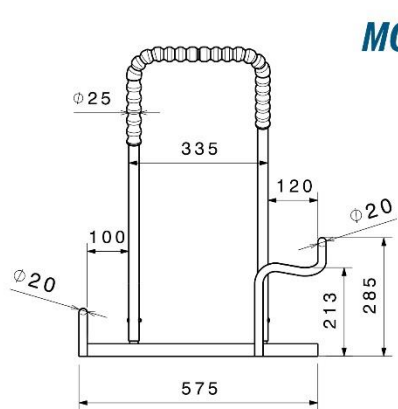


| | |
|---------------------------------------|-------|
| % of recycled material in the product | 70 % |
| % recycled product in packaging | 70 % |
| Hazardous substance > 0.1% | No |
| Repairability Index | 10/10 |
| Recyclable product | Yes |

Mottez Article Code

Article Code : **M050SSUI**
EAN Code : 3234640062471

M050S



M050SSUI

