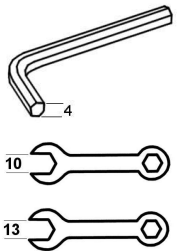


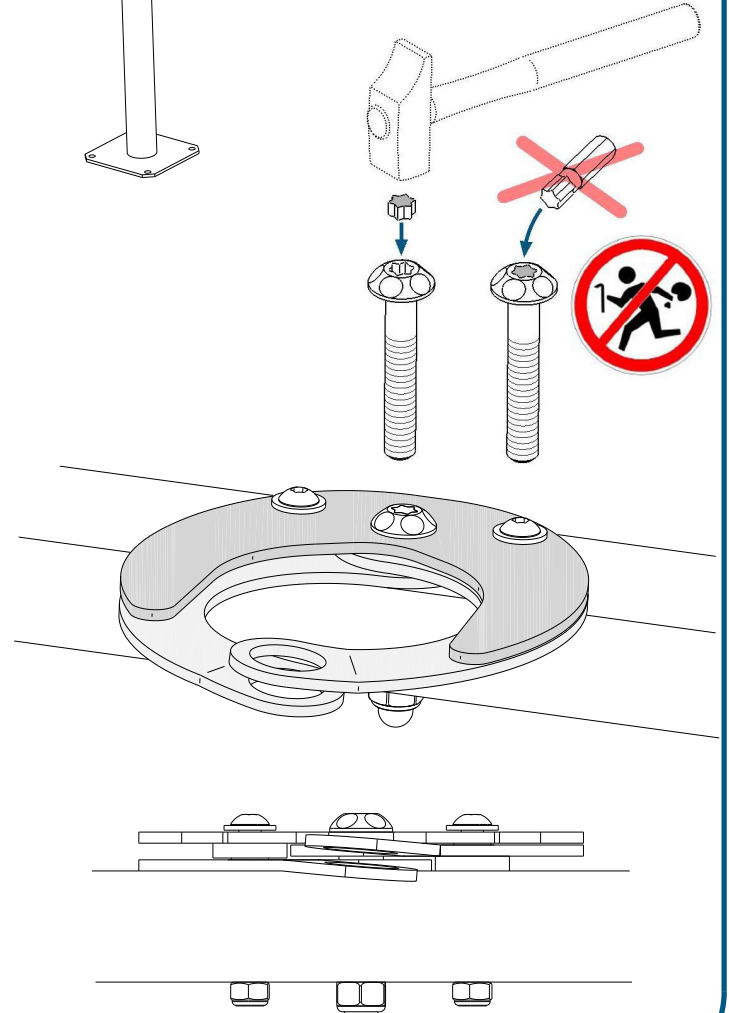
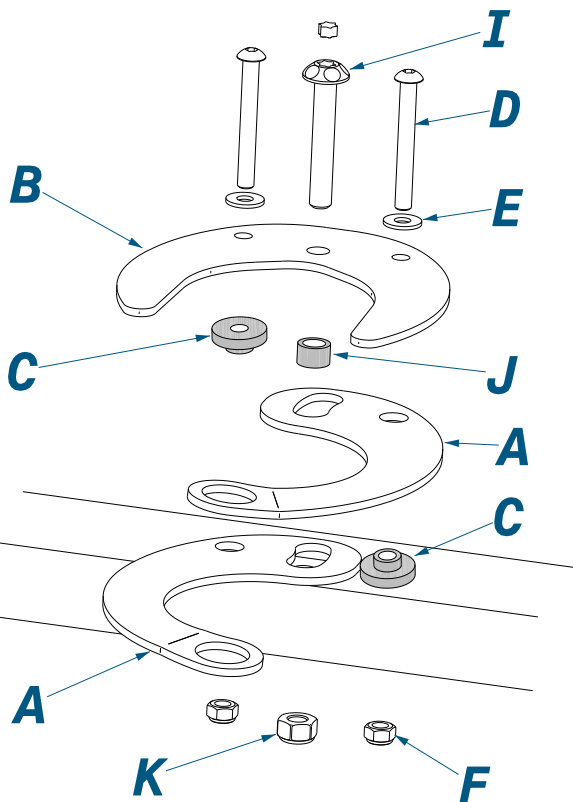
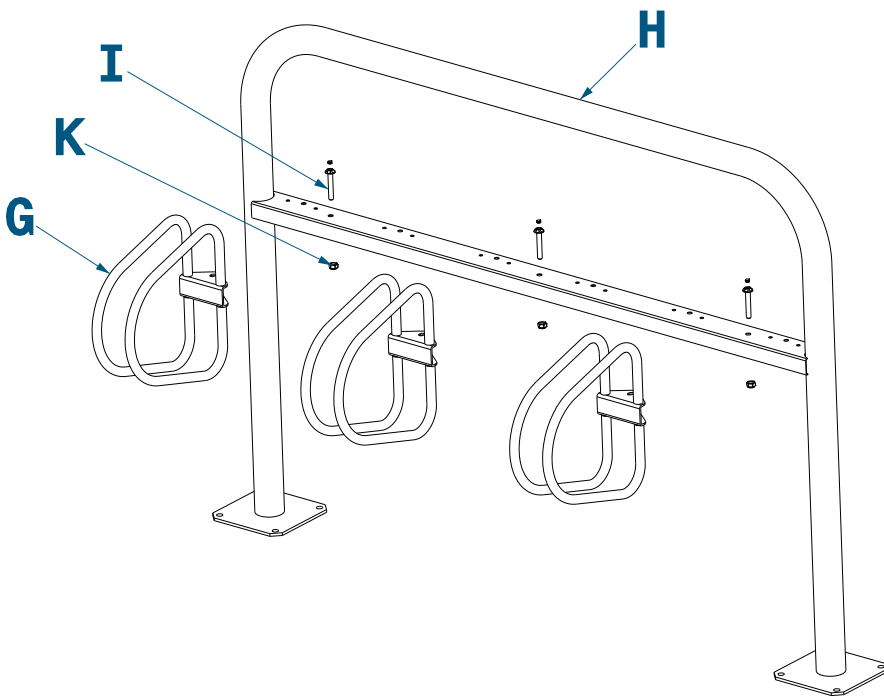
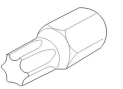
M093C RANGE 6 TROTTINETTES et 3 VELOS

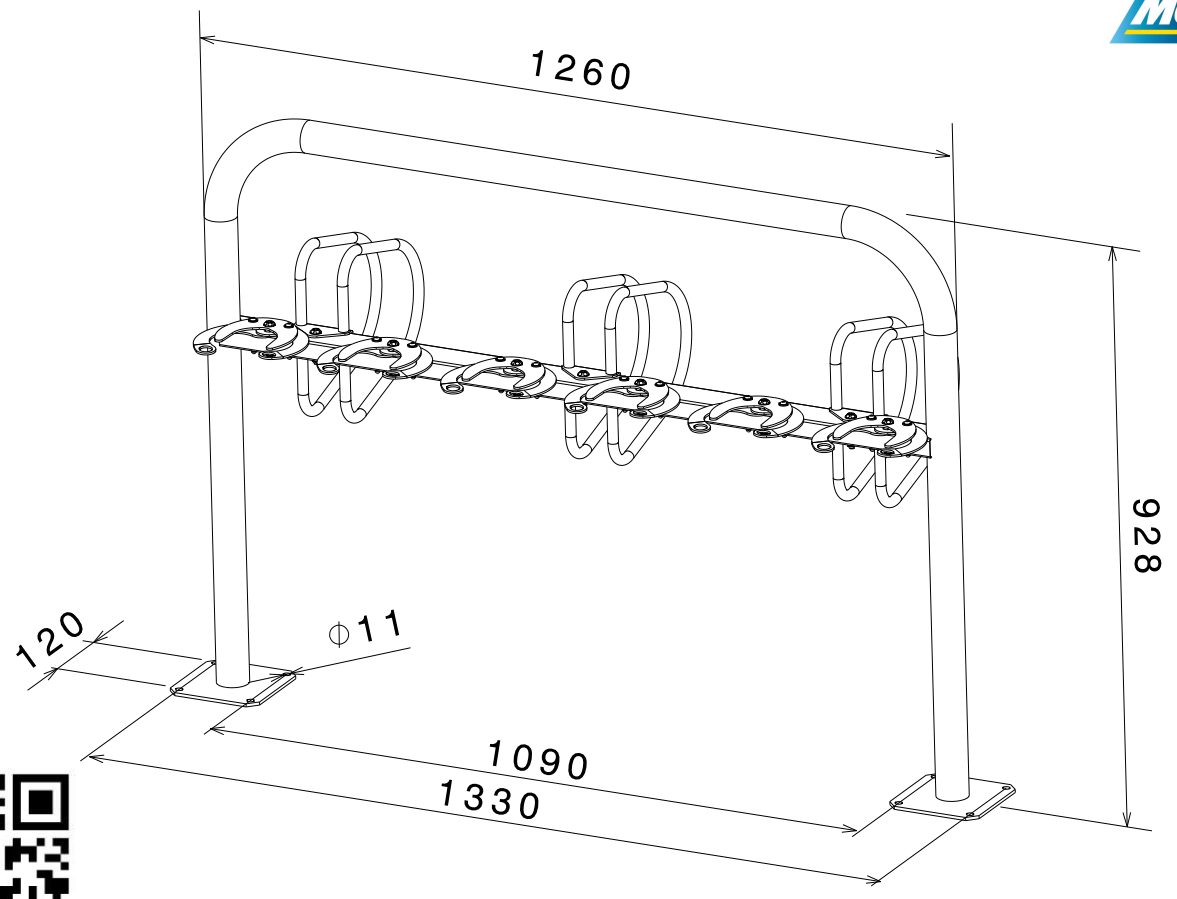
<p>A x12 (PRB06101BZN)</p>	<p>B x6 (PRB06102BPO)</p>	<p>C x12 (PRB06108)</p>	<p>D x12 (VIBHC06 50)</p>	<p>E x12 (VRM06)</p>	<p>F x12 (VEH06NY)</p>
<p>G x3 (M093SE2NO)</p>	<p>H x1 (M093SE1NO)</p>	<p>I x9 (VITM08 50)</p>	<p>J x6 (EM12 8 8)</p>	<p>K x9 (VEH08NY)</p>	

Outils nécessaires
(non fournis)
(not included)



TX40
(fourni - included)





VIDEO DEMONSTRATION
B061 - M508

