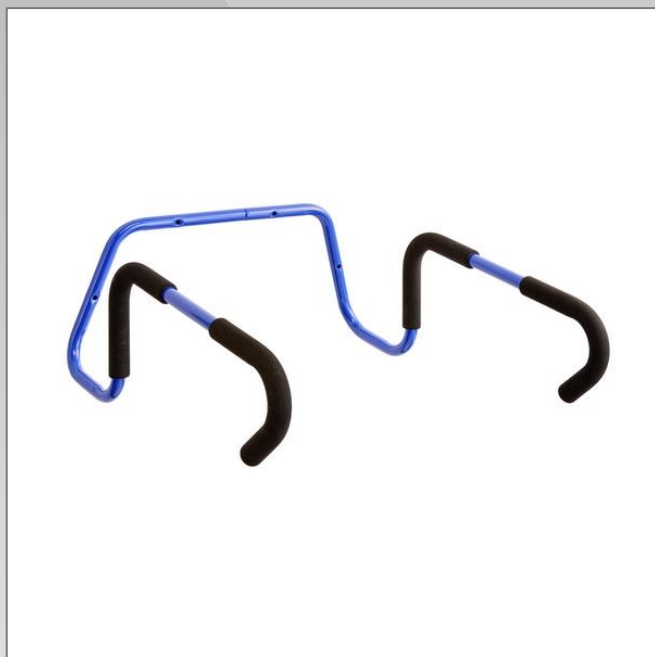


Wall Support for 240 / 400 L bags

Art. Code W073 / W074 - **2 pack**



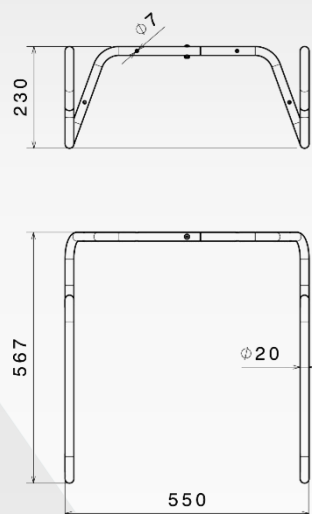
- Wall support in curved tube, to assemble and fix to the wall for 240/400 L bags (Mottez waste bags - Art. Code: W073 or W074)
- 4 foams on tube which prevent the bag from slipping
- Quick bag installation

Technical Description

- Material : steel tube $\varnothing 20$, thick. 1,50 mm, blue polyester paint + foam sleeves
- Dimensions : 55 x 56,7 x Height 23 cm
- Weight (1 unit) : 1,80 kg
- Pack of 2, packed in a carton box

Mottez Article Code

Article Code : **M008C2**
EAN Code : 3234640062907



% of recycled material in the product	100 %
% recycled product in packaging	50 %
Hazardous substance > 0.1%	No
Repairability Index	10 / 10
Recyclable product	Yes

